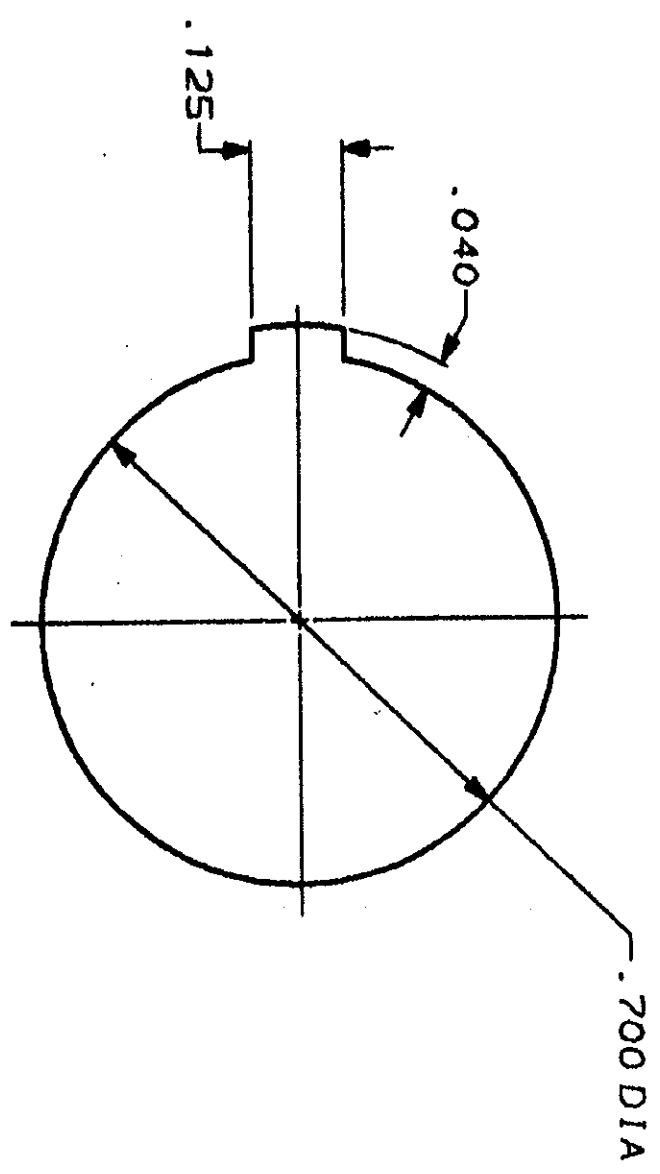
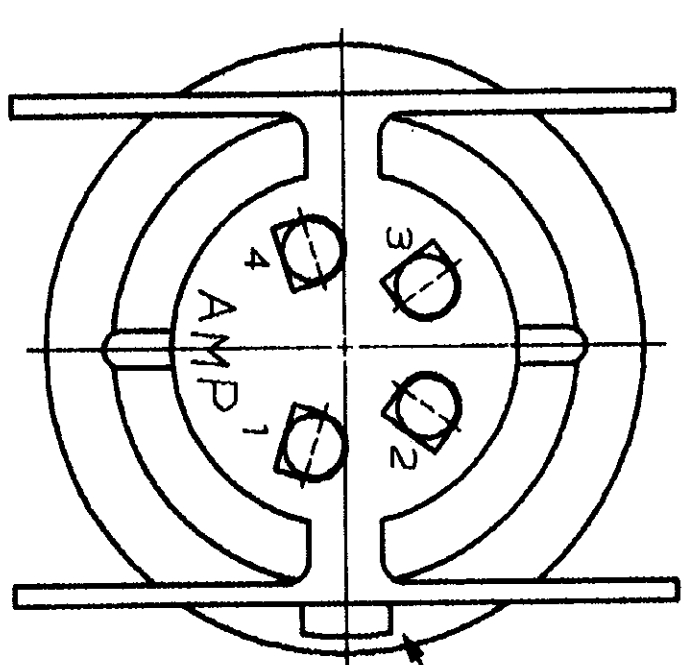
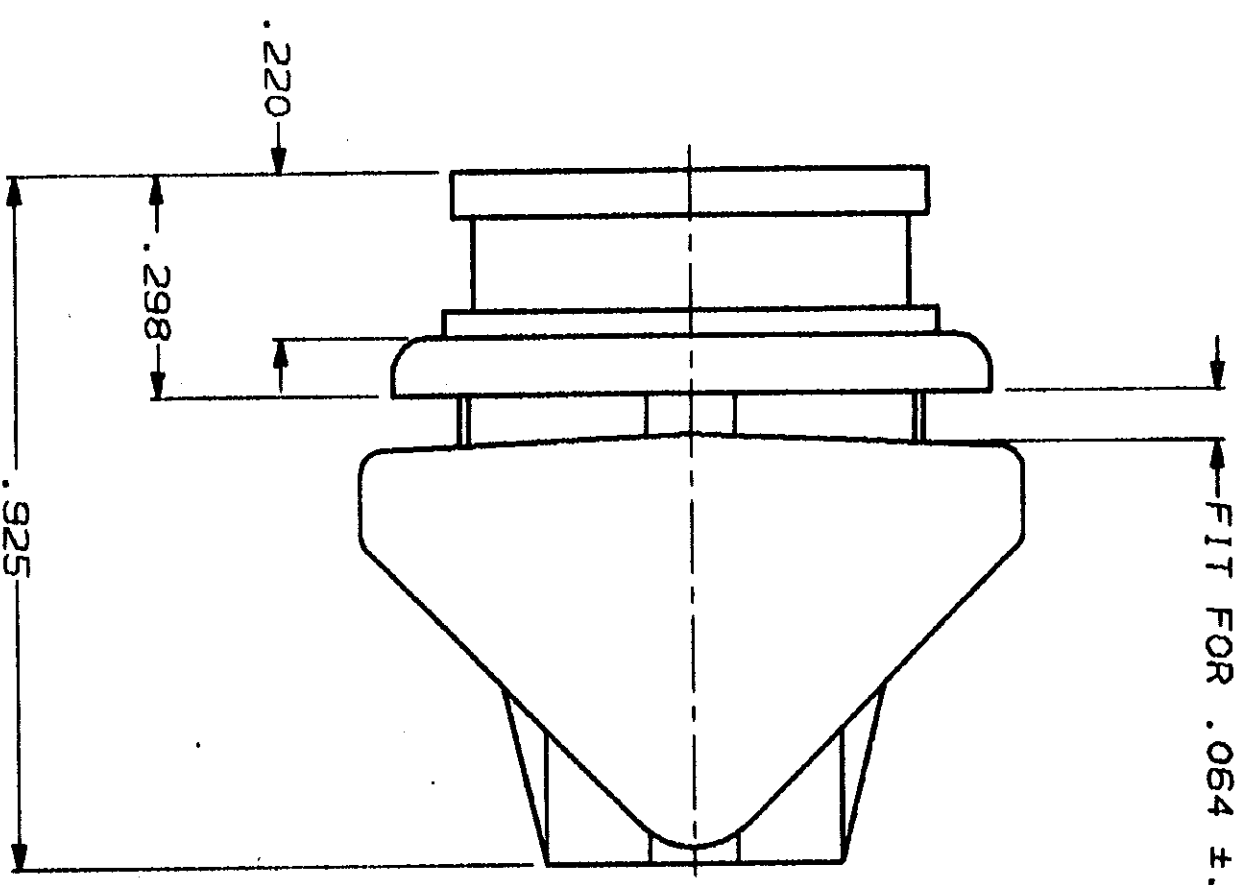
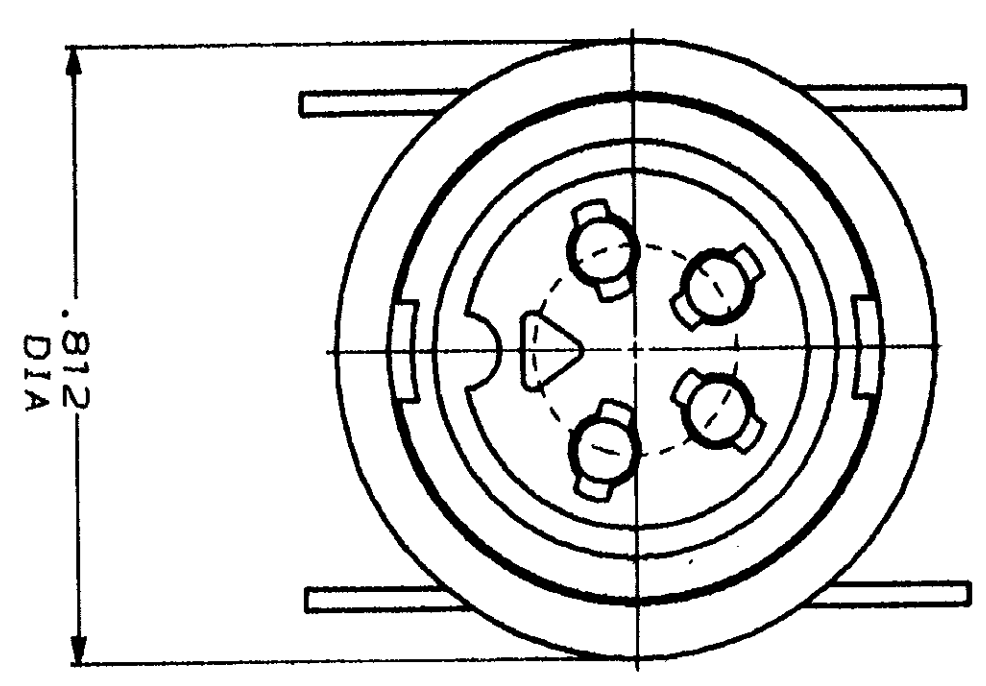


REV. NO.	DATE	APP'D	REVISIONS
23	BD	39	DESCRIPTION
ZONE	LTR	H	REDRAWN
DATE	APP'D	DATE	APP'D



RECOMMENDED PANEL CUT-OUT  
 1. HOUSING TO BE INSERTED FROM PUNCHED SIDE OF PANEL.

DO NOT SCALE PRINT. DIMENSIONS SPECIFIED IN INCHES TOLERANCES ON: 1. DIMENSIONS IN INCHES 2. PLG DEC ± .005 3. PLG DEC ± .005 ANGLES MATERIAL NYLON COLOR: BLACK FINISH	DR B/31/90 A. STUB BS CHK APPD H. Blawie 6-3-91 APPD - Q. Blawie 6/2/91 PRODUCT SPEC APPLICATION SPEC WEIGHT	AMP AMP Incorporated Harrisburg, PA 17105-3808	SIZE CAGE CODE DRAWING NO SHEET
	S-30-91 6-3-91 6/2/91	HOUSING, SOCKET, SNAP-IN, AUDIO MICROPHONE CONNECTOR, 4 POSN	00779 207316 1 OF 1

207316-1  
PART NO

207316

CUSTOMER DRAWING